

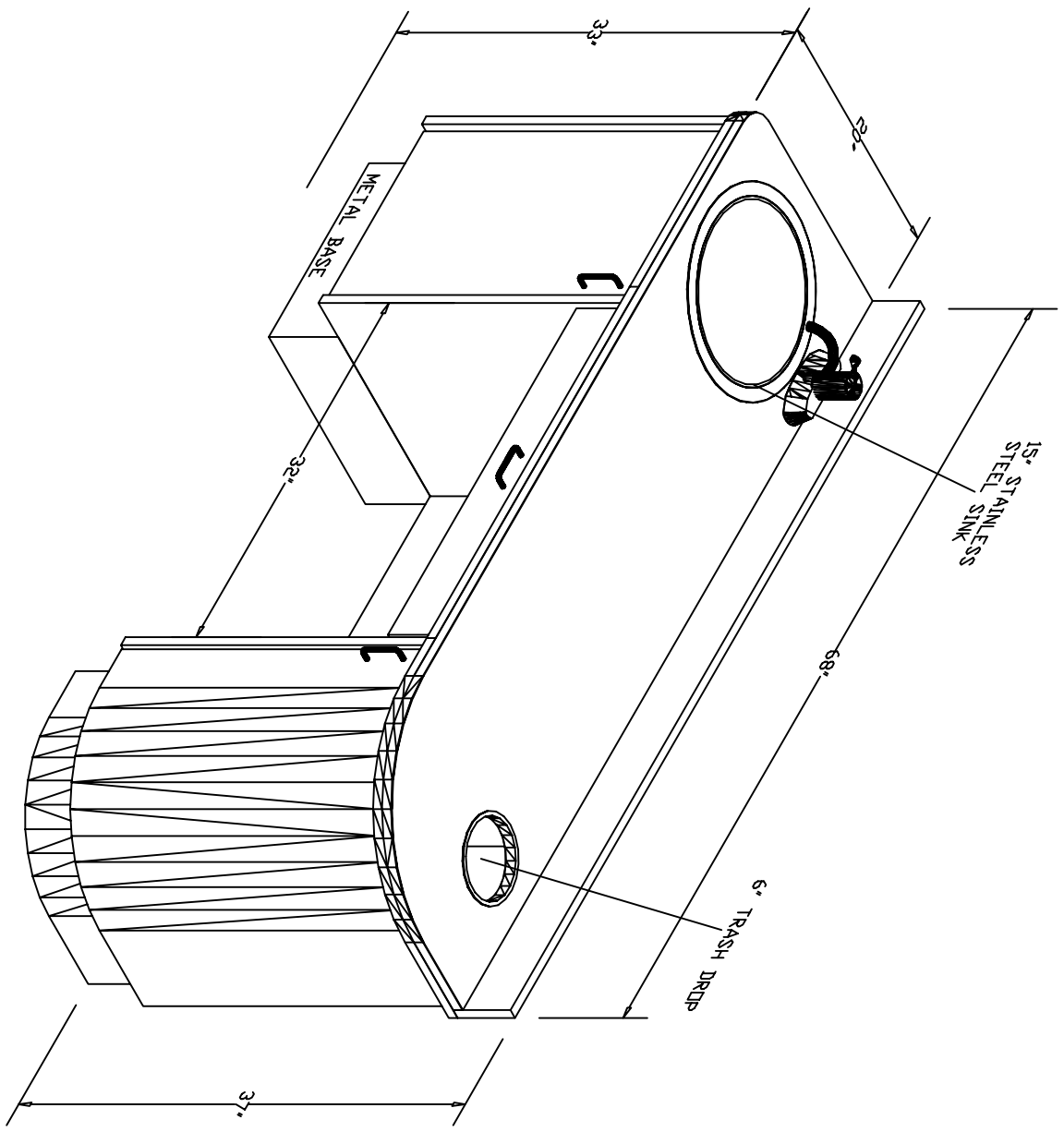
Duplication of Smart Cabinets designs is prohibited.

Review drawing dimensions for proper installation.

I confirm that this order is correct.
Signature: _____ Date: _____

SMART CABINETS
 WWW.SMARTCABINETS.COM
 PHONE: 1-877-214-1601
 WICHITA FALLS, TX FAX: (940) 322-8280
 Form: _____
 Presentation: _____
 Date: 9/23/11 Drawn By: B.C. Checked By: R.S.
 Providence II
 Doctor's Unit

IMPORTANT: PLEASE CIRCLE ONE.
WALL OR FLOOR PLUMBING



Standard:	
15" Round Stainless Steel Sink	
High Pressure Laminate Colors	
Metal Base With Levelers	
Single Round End (Trash End)	
Handles on Doors / Drawers	
All Sides Finished	
Cabinet Colors (Please List)	
Cabinet Panels:	
Countertop:	
Door / Drawer Edge Accent:	
Options:	
Finished Back	\$0.00
Left or Right Configuration	\$0.00
Touch Latches (\$10 ea. Door/Drawer)	\$30.00
Pullout Writing Surface	\$65.00
Pencil Drawer	\$65.00
Additional Drawer	\$65.00
Additional Trash Drop	\$40.00
Adjustable Shelving	\$40.00
Glove Dispenser	\$60.00
Electrical Outlet	\$85.00
Wire Grommet	\$15.00
Air Vents	\$20.00
Computer / Keyboard Mounting	\$297.00
Systems and Arms	
Acrylic Sink	\$0.00
Solid Surface Countertops	\$1,050.00
Touchless Faucets	\$385.00
Tap Master Foot Pedal	\$360.00
Automatic Soap Dispenser	\$140.00
Manual Soap Dispenser	\$40.00
Stainless Steel Covered Base	\$310.00