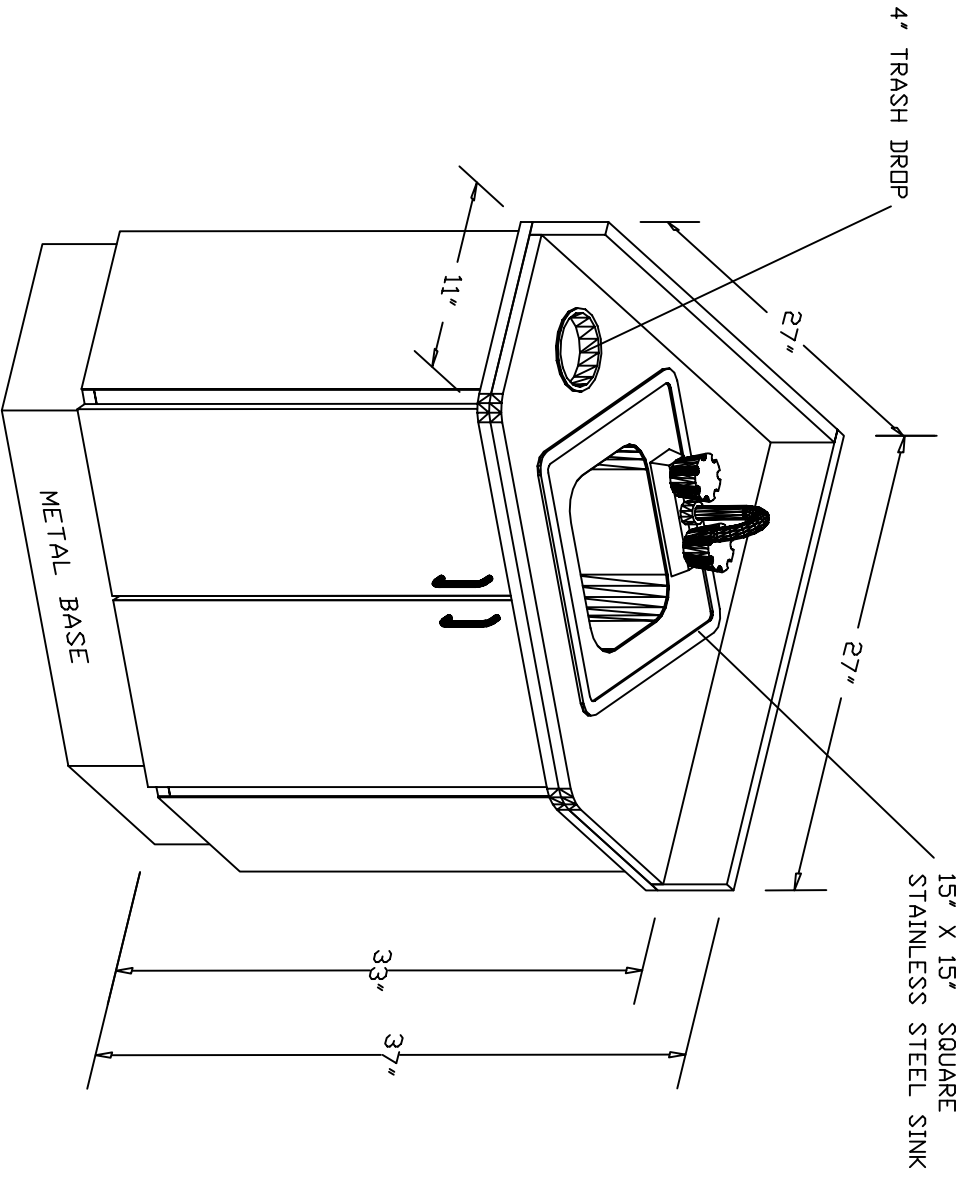


<b>Standard:</b>	
15" X 15" Square Stainless Steel Sink with Faucet	
High Pressure Laminate Colors	
Metal Base with Levelers & Removable Access Panel	
Trash Drop	
Handles on Doors	
<b>Cabinet Colors (Please List)</b>	
Cabinet Panels:	
Countertop:	
Door Edge Accent:	
<b>Options:</b>	
All Sides Finished	\$0.00
Touch Latches (\$10 ea. Door)	\$20.00
Additional Trash Drop	\$40.00
Electrical Outlet	\$80.00
Glove Dispenser	\$40.00
Acrylic Sink	\$100.00
Round Sink (15" Stainless Steel)	\$100.00
Solid Surface Countertop	\$420.00
Touchless Faucets	\$380.00
Tap Master Foot Pedal	\$360.00
Automatic Soap Dispensers	\$115.00
Manual Soap Dispenser	\$40.00
Stainless Steel Covered Base	\$285.00



Duplication of Smart Cabinets designs is prohibited.

Review drawing dimensions for proper installation.

I confirm that this order is correct.  
 Signature: \_\_\_\_\_ Date: \_\_\_\_\_



WWW.SMARTCABINETS.COM  
 MIGHTA FALLS, TX (940) 322-8280  
 PHONE: 1-877-214-1601  
 FAX: (940) 322-8280

For Presentation  
 Date: 11/4/11 Drawn By: B.C. Checked By: R.S.

Providence I  
 Corner Unit