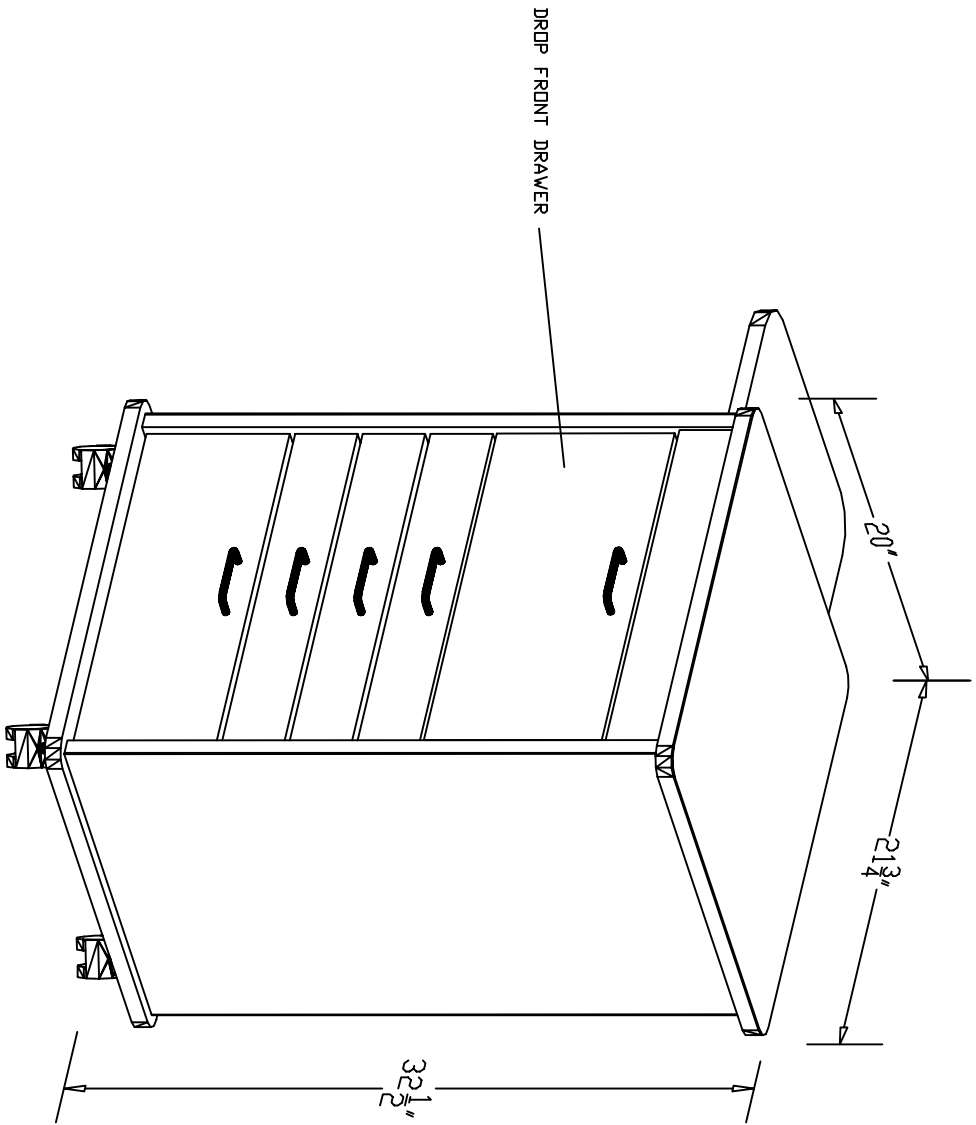


|  |        |
|--|--------|
| <b>Standard:</b>                             |        |
| High Pressure Laminate Colors                |        |
| Handles on Doors / Drawers                   |        |
| Sliding Side Shelf - Specify Direction Below |        |
| 1 Drop Front Drawer, 4 Regular Drawers       |        |
| Casters                                      |        |
| <b>Options:</b>                              |        |
| Left Sliding Side Shelf                      | \$0.00 |
| Right Sliding Side Shelf                     | \$0.00 |
| <b>Cabinet Colors (Please List)</b>          |        |
| Cabinet Panels:                              |        |
| Work Surface:                                |        |
| Door / Drawer Edge Accent:                   |        |
|  |        |
|  |        |



Duplication of Smart Cabinets designs is prohibited.

Review drawing dimensions for proper installation.

I confirm that this order is correct.  
 Signature: \_\_\_\_\_ Date: \_\_\_\_\_

**SMART CABINETS**

WWW.SMARTCABINETS.COM

PHONE: 1-877-214-1601 WICHITA FALLS, TX (940) 322-8280

FAX: (940) 322-8280

Date: 11/15/11 Drawn By: B.C. Checked By: R.S.

Providence Assistant's  
 "North Carolina" Cart