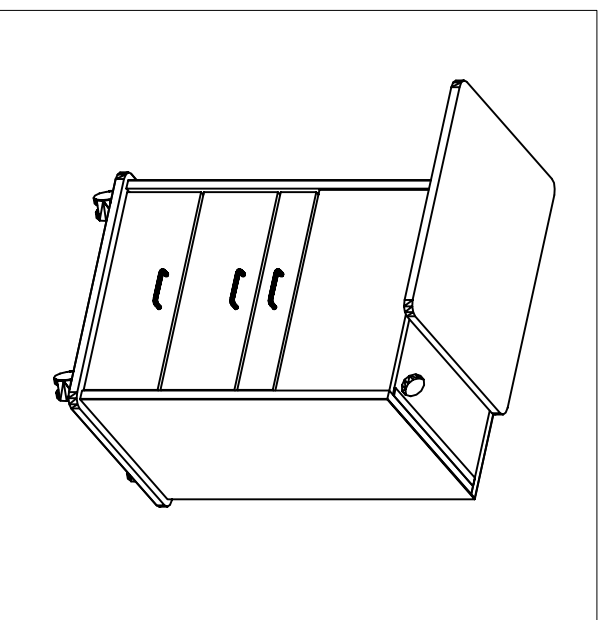
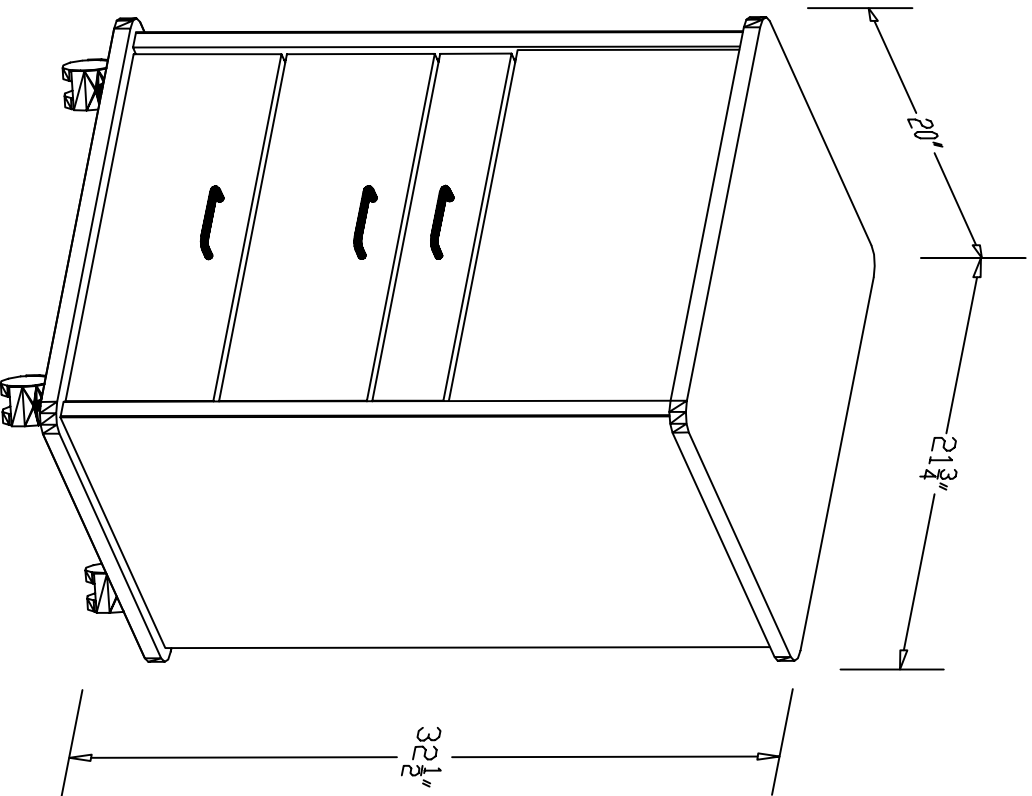


Standard:	
High Pressure Laminate Colors	
Handles on Doors / Drawers	
Sliding Top - Specify Direction Below	
Casters	
3 Drawers	
Options:	
Side to Side Sliding Top	\$0.00
Front to Back Sliding Top	\$0.00
Cabinet Colors (Please List)	
Cabinet Panels:	
Work Surface:	
Door / Drawer Edge Accent:	



SMART CABINETS

WWW.SMARTCABINETS.COM
 VICTORIA FALLS, TX (940) 322-8280
 PHONE: 1-877-214-1601 FAX: (940) 322-8280

For: Presentation
 Date: 11/14/11 Drawn By: B.C. Checked By: R.S.

Providence Assistant's
 "Alabama" Cart

Duplication of Smart Cabinets designs is prohibited.

Review drawing dimensions for proper installation.

I confirm that this order is correct.
 Signature: _____ Date: _____